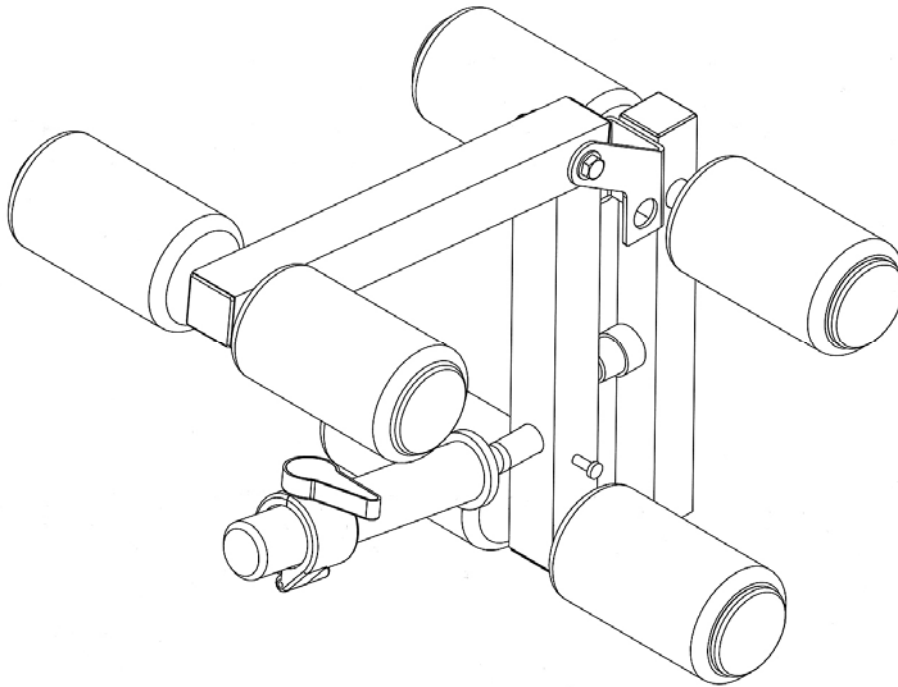


# MP EX

F I T N E S S P R O D U C T S

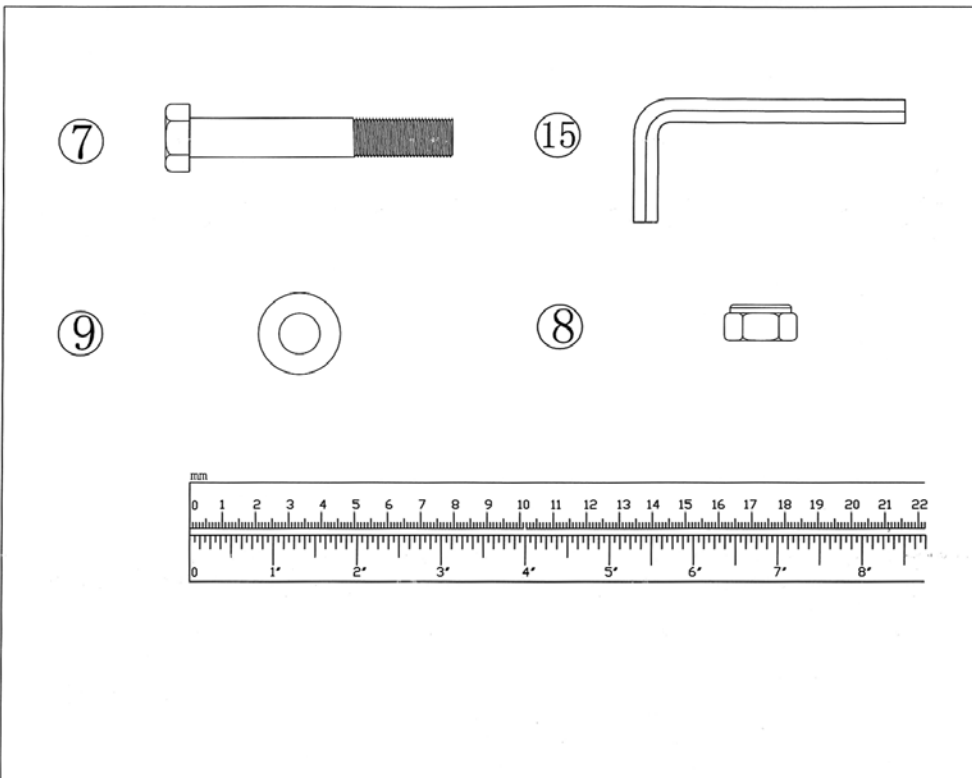
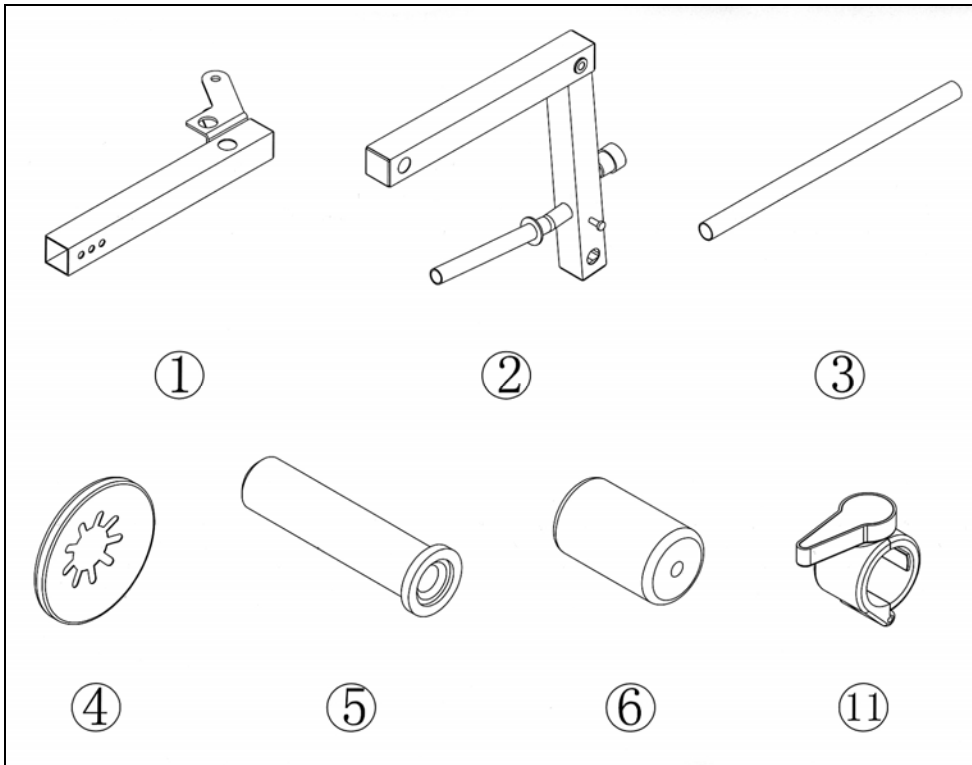
## MARCY PRO LEG DEVELOPER PM-20

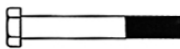




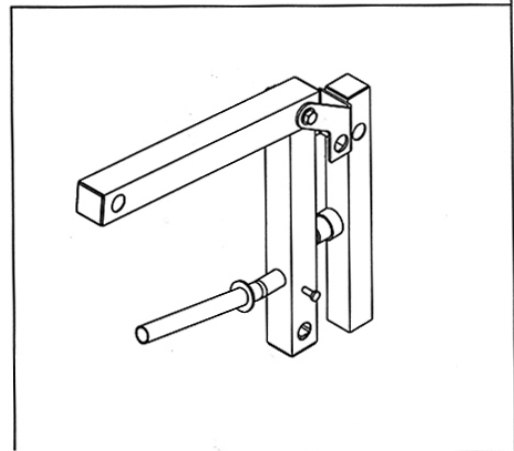
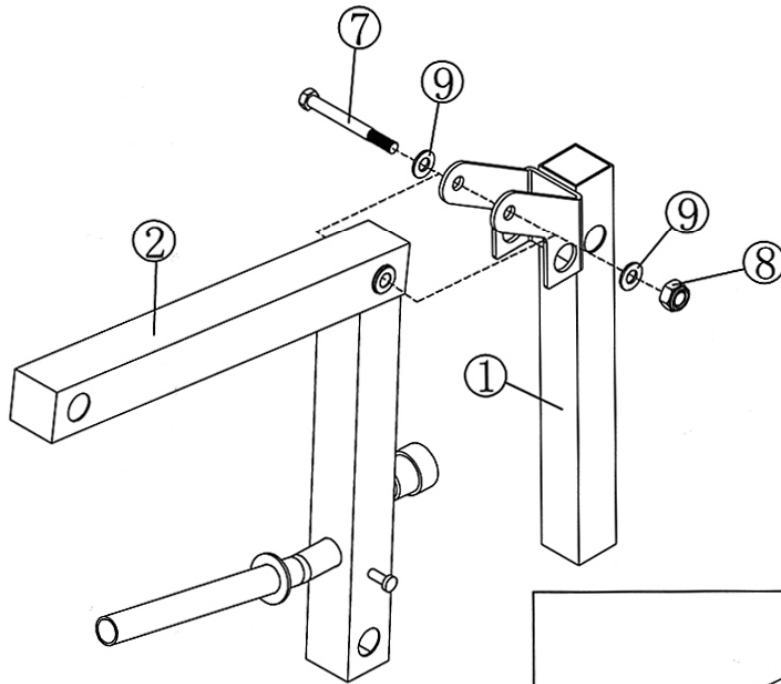
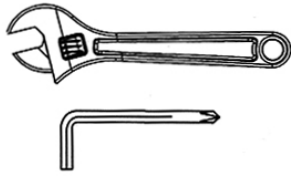
**IMPORTANT:** Please read the Important Assembly Information in the Owner's manual before assembling this equipment.

**Assembly Manual**

110524

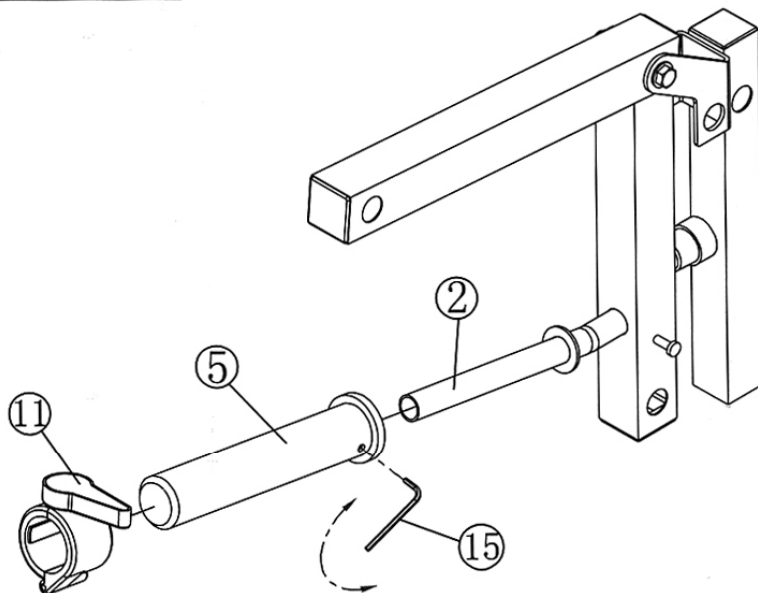
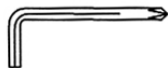
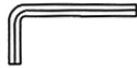


- |   |   |   |                         |   |   |   |      |
|---|---|---|-------------------------|---|---|---|------|
| ⑦ |  | 1 | M12 x 3 $\frac{1}{8}$ " | ⑨ |  | 2 | Ø 1" |
|   |   |   |                         | ⑧ |  | 1 | M12  |

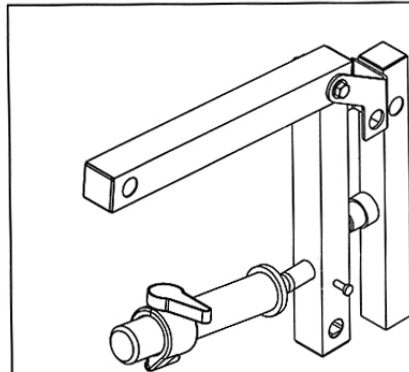


1

15



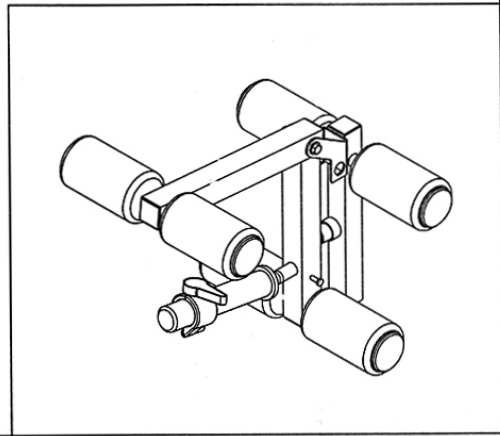
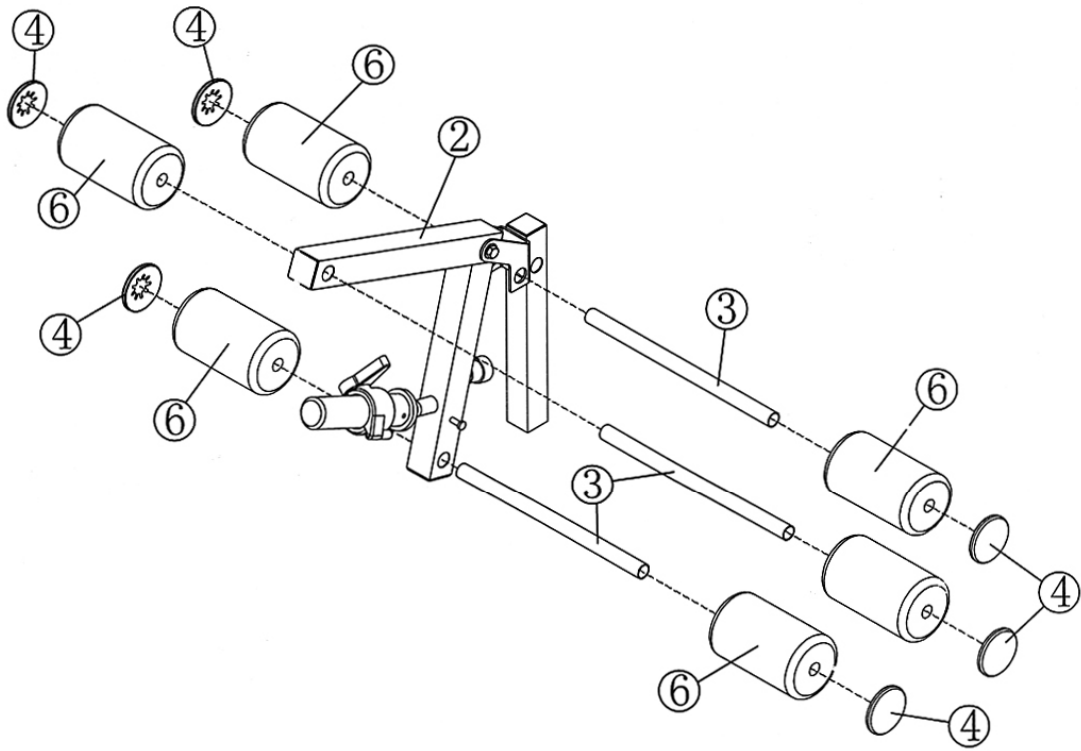
2



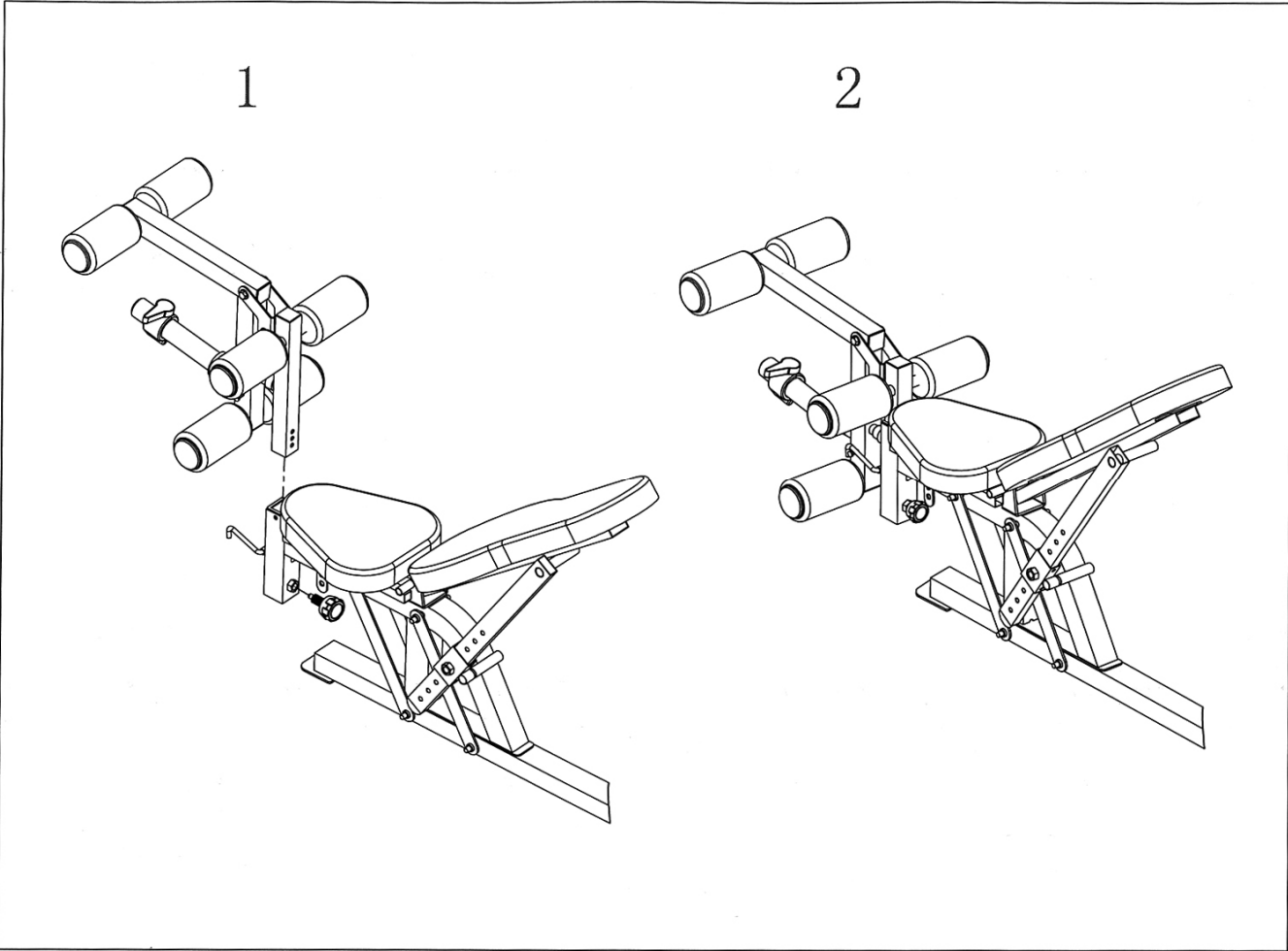
④



6



3



**IMPEX<sup>®</sup> INC.**

14777 DON JULIAN RD., CITY OF INDUSTRY, CA 91746

Tel: (800) 999-8899 Fax: (626) 961-9966

**[www.impex-fitness.com](http://www.impex-fitness.com)**

**[info@impex-fitness.com](mailto:info@impex-fitness.com)**